

ALEXANDRIA

Features

- Solid brass construction
- Complements Alexandria product series

Towel Bar

22-01

Also 22-02, 22-03

Codes / Standards Compliance

Meets or exceeds the following at date of manufacture

- All applicable US Federal and State material regulations



Colors / Finishes

- 10B: Oil Rubbed Bronze
 - 15: Polished Nickel
 - 15S: Satin Nickel - PVD
 - 26: Polished Chrome
- Other: Refer to the Newport Brass catalog for additional color/finish options.

Specified Model

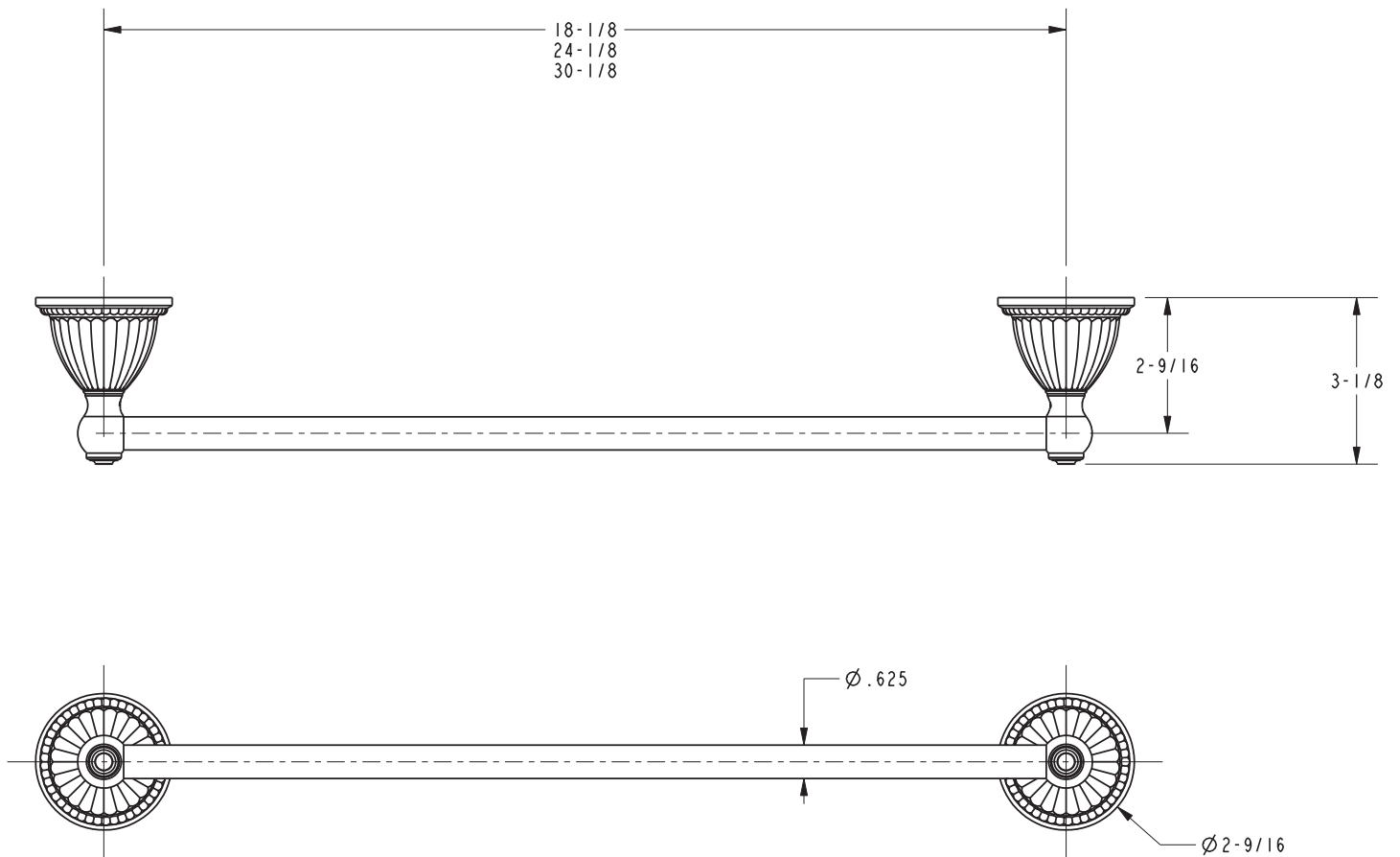
Model	Description	Colors Finishes				
22-01	18" Towel Bar	<input type="checkbox"/> 10B	<input type="checkbox"/> 15	<input type="checkbox"/> 15S	<input type="checkbox"/> 26	<input type="checkbox"/> Other
22-02	24" Towel Bar	<input type="checkbox"/> 10B	<input type="checkbox"/> 15	<input type="checkbox"/> 15S	<input type="checkbox"/> 26	<input type="checkbox"/> Other
22-03	30" Towel Bar	<input type="checkbox"/> 10B	<input type="checkbox"/> 15	<input type="checkbox"/> 15S	<input type="checkbox"/> 26	<input type="checkbox"/> Other

Product Specification: Add "Color / Finish" suffix to Model number, below.

The Towel Bar shall be made of solid brass construction. Towel Bar shall complement Newport Brass Alexandria product series. Towel Bar shall be Newport Brass Model 22-0__/____.

22-01

PRODUCT DIMENSIONS *(Units are in inches)*



Alexandria Towel Bar
22-01